

GENERAL REQUIREMENTS FOR ACCESS

AS1428 SERIES — 2009 EDITION

—
COPYRIGHT GRIMBOS BUILDING SURVEYORS

GRIMBOS
BUILDING SURVEYORS

LEVEL 1 SUITE 1
397 SMITH STREET
FITZROY 3065

PHONE: +61 3 9419 7000
FAX: +61 3 9419 9007

INFO@GRIMBOS.COM.AU
GRIMBOS.COM.AU

ABN: 805 912 38414

ACCESSIBLE TOILET

MINIMUM CLEARANCES

- Compartment Size – 2100mm x 2700mm
- Pan Circulation Space – 1900mm x 2300mm
- Compartment Height – 2100mm
- Clear Door Width – 850mm
- Edge of Pan to Wash Basin – 1400mm
- Setback of Washbasin from Door – 300mm

DOOR LATCH

- Height – 900 to 1100mm (measured to top of handle from finished floor level)
- Clearance – 35 to 45mm (measured from inside of handle to door face)
- Handle Grip – 20mm min curve at end of handle to ensure grip
- Snib locks – 45mm minimum length of spindle
- Push Buttons – 25mm minimum diameter (height of 900 to 1200mm permitted)

PAN

- Colour contrasting seat (minimum 30% with floor, pan and wall)
- Height of Pan – 460 to 480mm (measured from finished floor level to top of seat)
- Width of Pan – 400mm maximum
- Side Setback from Wall – 450 to 460mm (measured to middle of pan)
- Edge of Pan to Rear Wall - 800 ± 10mm (min 600mm to cistern)
- Backrest – 120 to 150mm from top of seat at 90-100° angle
- Backrest Width – 350 to 400mm
- Backrest Height – 150 to 200mm
- Toilet Paper Dispenser Zone – 700mm from finished floor level and within 300mm from edge of pan

GRABRAILS (90° OR 35° TO 45° OPTION)

- Side of Pan Height – 800 to 810mm (measured to top of grabrail from finished floor level)
- Side of Pan Setback from Wall – 50 to 60mm
- Back of Pan Setback from Cistern – 50mm maximum
- Back of Pan Length – 300mm (alternatively full length if cistern is inbuilt)

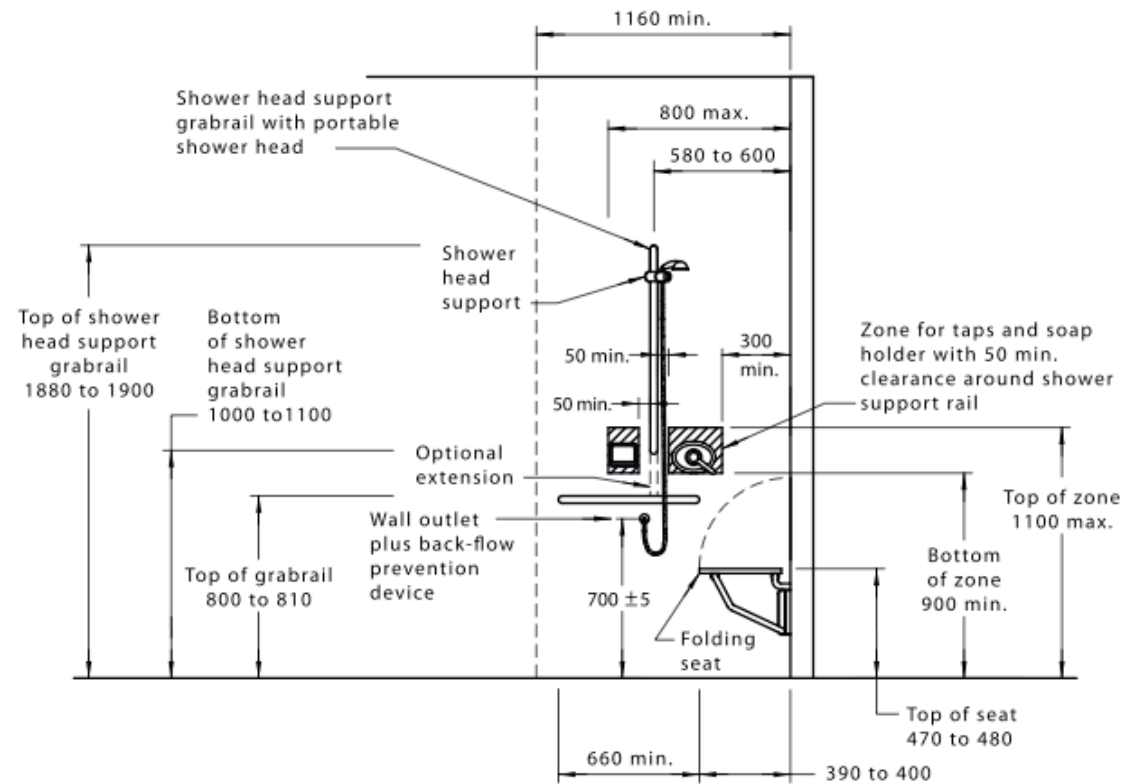
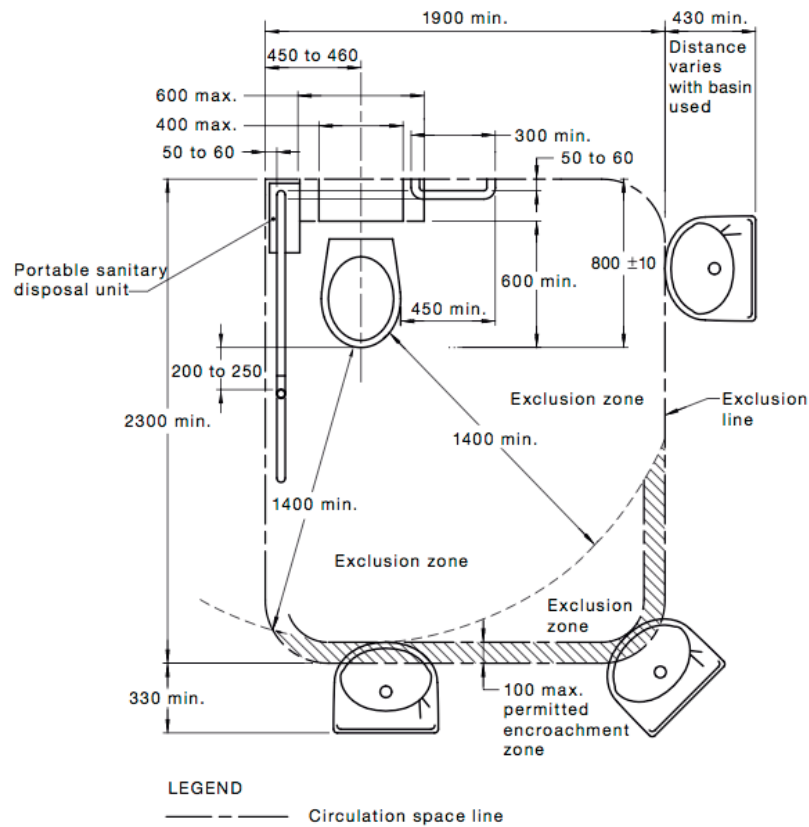
FIXTURES AND FITTINGS

- Mirror - 900 to 1850mm in height and minimum 350mm wide
- Shelf – 900 to 1000mm in height, 300 to 400mm in length and minimum 120mm wide (separate fixture)
- Dispensers (soap/towel) – 900 to 1100mm from finished floor level (min 500mm from corners)
- Clothes hanging device – 1200 to 1350mm from finished floor level (min 500mm from corners)

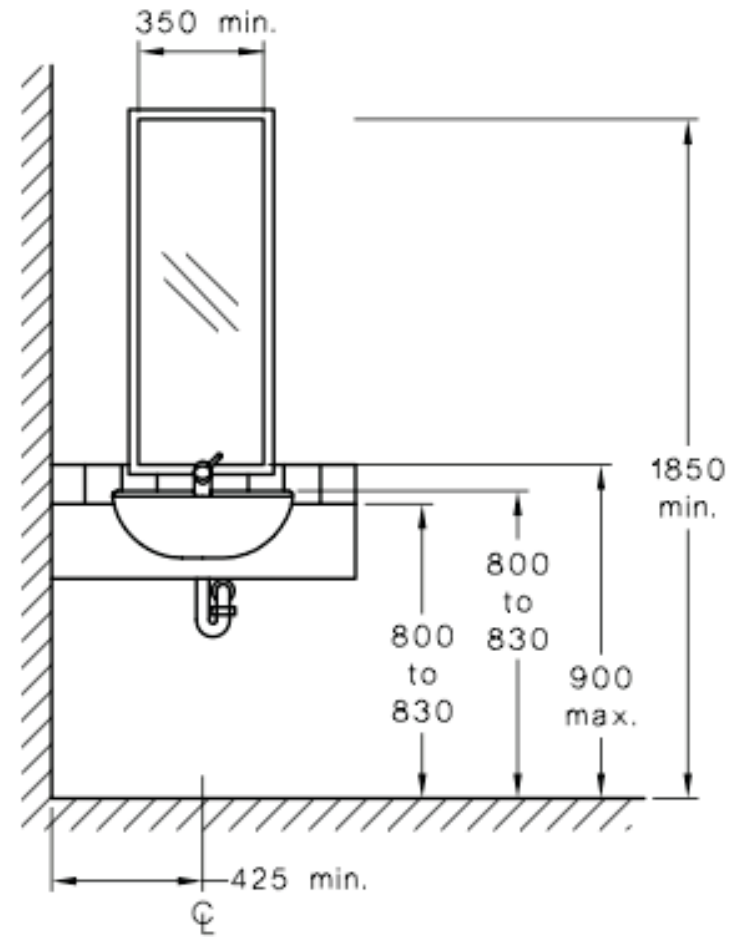
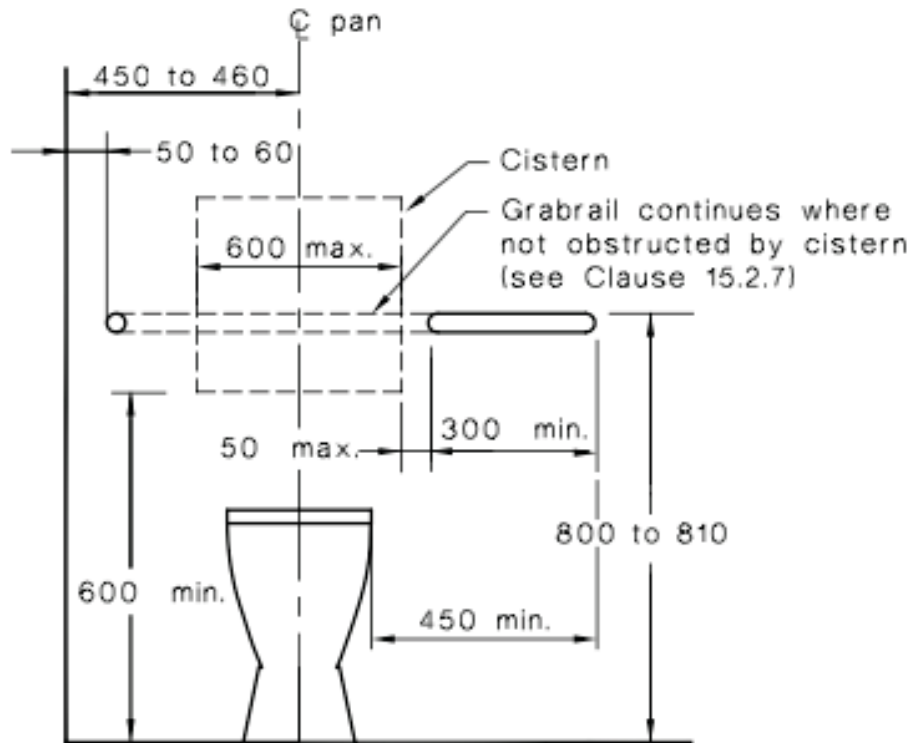
WASHBASIN

- Height – 800 to 830mm
- Width – 450mm
- Setback from Wall – 425mm (measured to middle of washbasin)

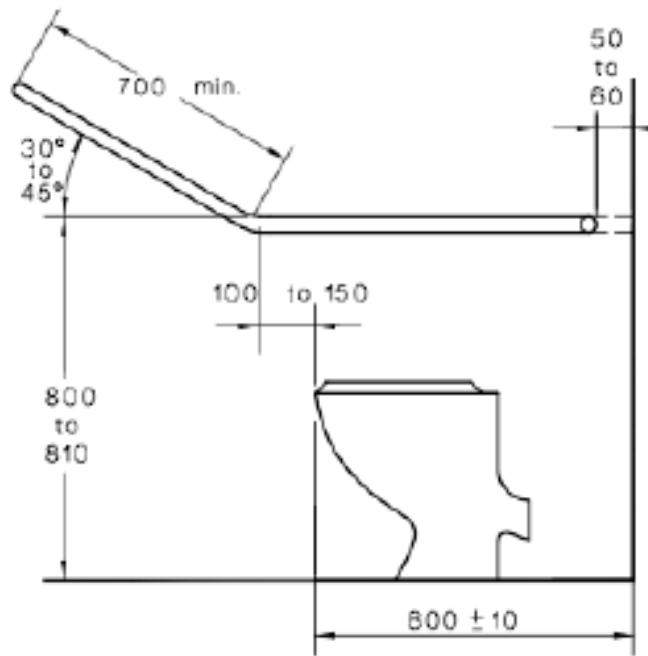
ACCESSIBLE TOILET



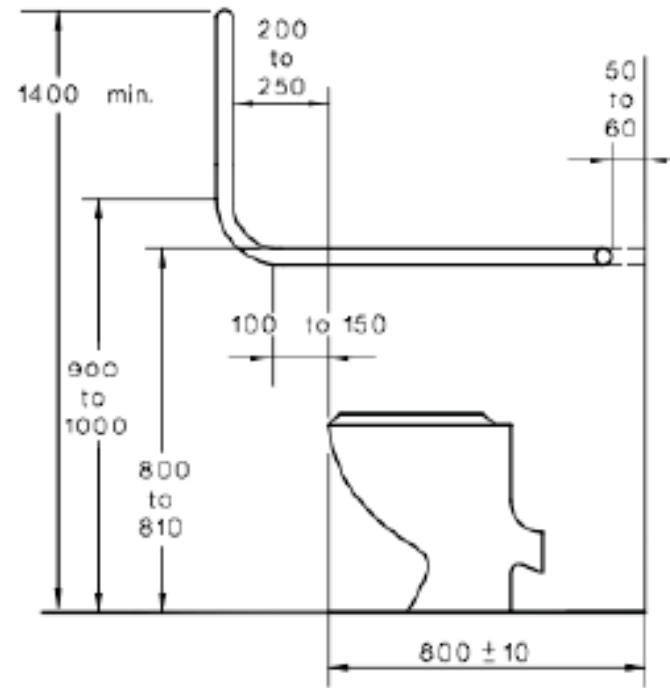
ACCESSIBLE TOILET



ACCESSIBLE TOILET



(i) Option A



(ii) Option B

AMBULANT TOILET

MINIMUM CLEARANCE

- Compartment Width – 900 to 920mm (measured wall to wall)
- Compartment Cubicle Depth – 900mm minimum (measured from edge of pan to door)
- Clear Circulation Space – 900mm x 900mm in front of door (depending on doorway option)
- Clear Door Width – 700mm

DOOR LATCH

- Height – 900 to 1100mm (measured to top of handle from finished floor level)
- Clearance – 35 to 45mm (measured from inside of handle to door face)
- Handle Grip – 20mm min curve at end of handle to ensure grip
- Snib locks – 45mm minimum length of spindle

PAN

- Height of Pan - 460 to 480mm (measured from finished floor level to top of seat)
- Edge of Pan to Rear Wall – 610 to 660mm

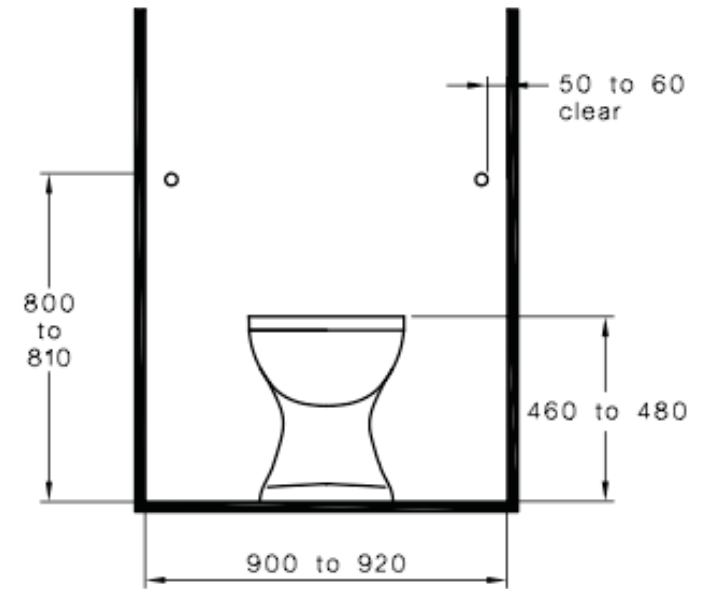
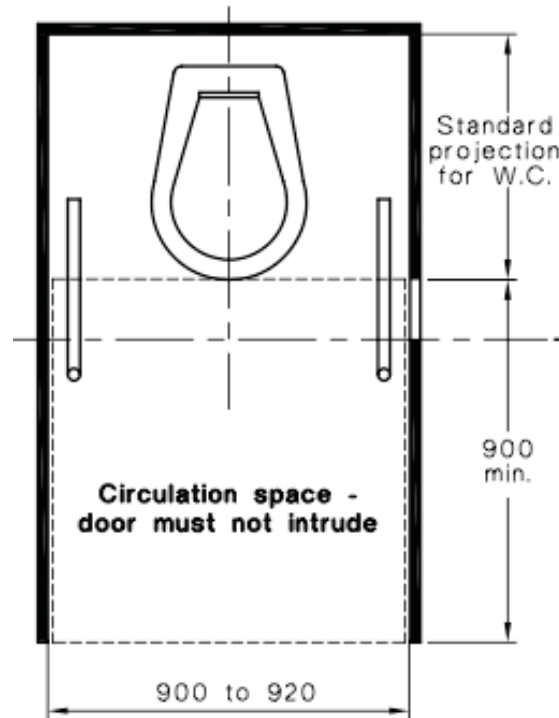
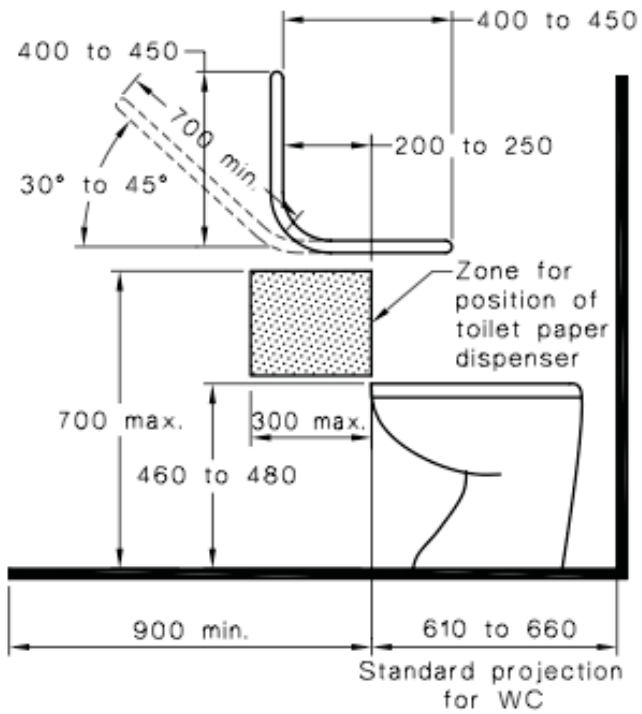
GRABRAILS (90° OR 35° TO 45° OPTION)

- Height – 800 to 810mm (measured to top of grabrail from finished floor level)
- Setback from Wall – 50 to 60mm
- Size – 30 to 40mm outside diameter
- Note, compartment construction, materials and fastenings are required to be able to withstand a force of 1100N applied at any position and in any direction without deformation or loosening.

FIXTURES AND FITTINGS

- Clothes hanging device – 1200 to 1350mm from finished floor level (min 500mm from corners)
- Toilet Paper Dispenser Zone – 700mm from finished floor level and 300mm from edge of pan
- Note, removable door hinges required to be provided if door swinging inwards and minimum 1200mm from edge of pan to doorway is not achievable.

AMBULANT TOILET

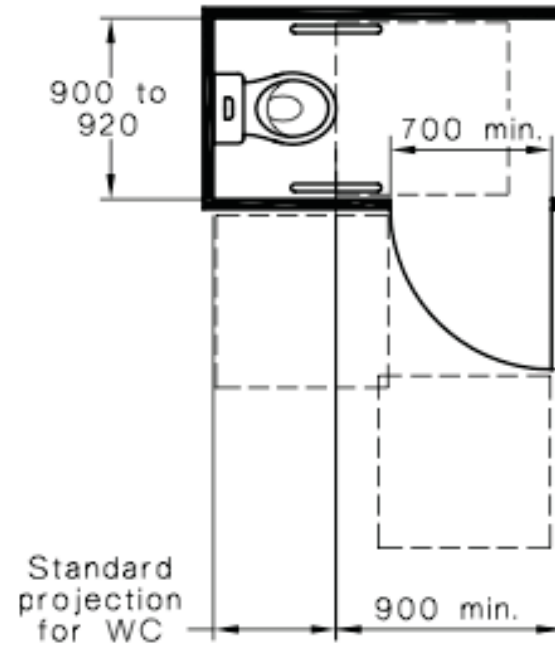
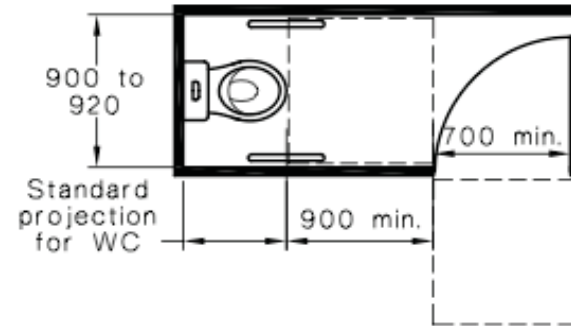
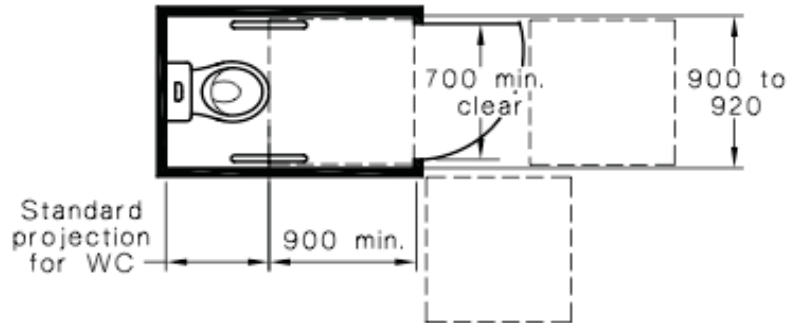
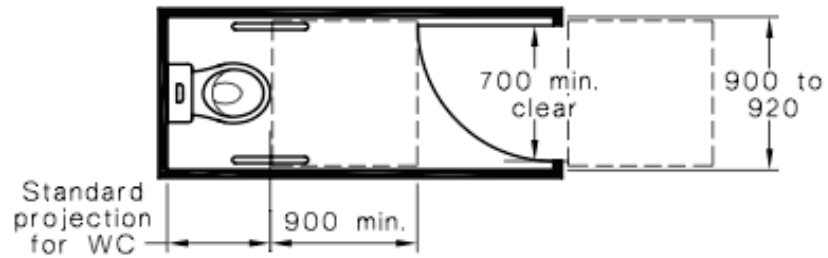


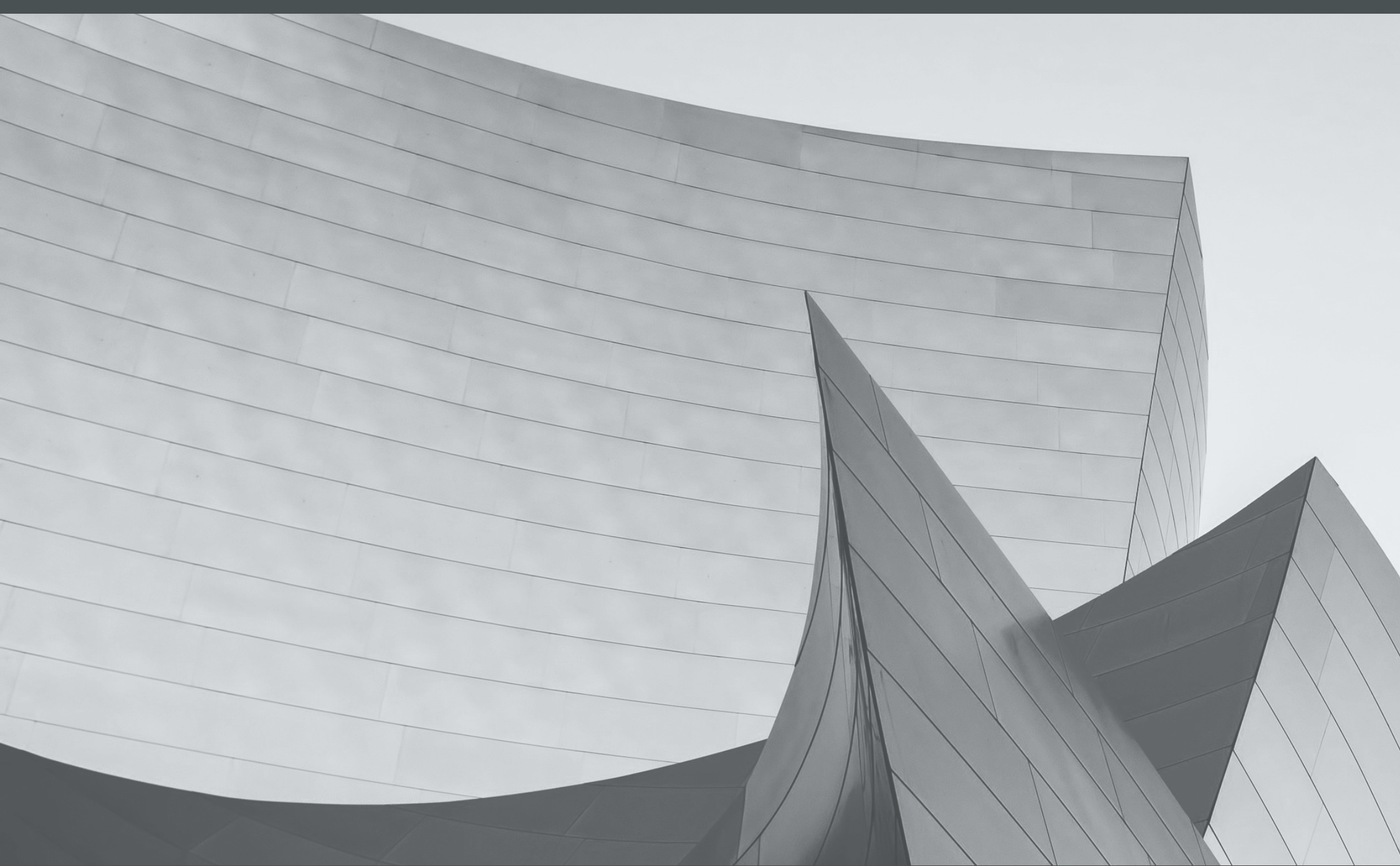
AMBULANT TOILET

LEGEND:



900 x 900 circulation space





GRIMBOS
BUILDING SURVEYORS

LEVEL 1 SUITE 1
397 SMITH STREET
FITZROY 3065

PHONE: +61 3 9419 7000
FAX: +61 3 9419 9007

INFO@GRIMBOS.COM.AU
GRIMBOS.COM.AU

ABN: 805 912 38414